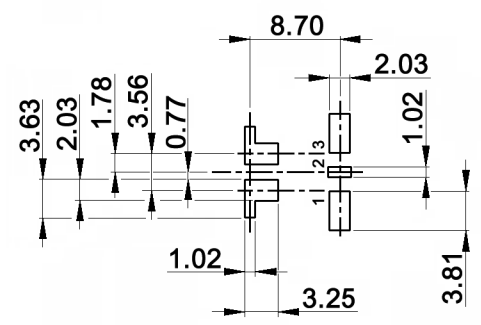


Toggle shown in pos. 1

P.C. MOUNTING



CONTACT ARRANGEMENT:

| code for x | function | toggle in position 1 | toggle opposite to pos. 1 |
|------------|----------|----------------------|---------------------------|
| D | On-On | 2-3 | 1-2 |
| F | On-Mom | | |

| code for x | function | toggle in position 1 | toggle in center | toggle opposite |
|------------|-------------|----------------------|------------------|-----------------|
| E | On-Off-On | 2-3 | open | 1-2 |
| G | Mom-Off-Mom | | | |
| H | On-Off-Mom | | | |

SWITCH RATING:

| code for y | contacts and terminals | rating AC with real load | rating DC with real load |
|------------|-----------------------------------------------------------|--------------------------|--------------------------|
| empty | silver-plated over nickel | 1A/250V, 3A/120V | 3A/28V |
| B | gold-plated over nickel | 0.4VA/20V | 0.4VA/20V |
| S | silver-plated over nickel, terminals tin-plated | 1A/250V, 3A/120V | 3A/28V |
| T | gold-plated over silver over nickel, terminals tin-plated | 1A/250V, 3A/120V | 3A/28V |
| G | gold-plated over silver over nickel | 1A/250V, 3A/120V | 3A/28V |

obsolete 2013 June

Compliance: RohS II (2011/65/EU), silicone-free

| Tolerances: 0.00: ±0.25mm 0.0: ±0.40mm | | Date | Name |
|-------------------------------------------|-------|------|------|
| Operating temperature | 11/23 | dr | |
| Silicone-free | 07/17 | dr | |
| Revised | 02/14 | dr | |
| Specifications | 07/13 | dr | |
| Switch rating | 12/11 | dr | |
| Contact arrangement | 10/09 | dr | |
| Switch rating | 10/09 | dr | |
| P.C.B. Layout | 10/07 | dr | |
| Modifications | Date | Name | |

SST 1 xy-R

knitter-switch

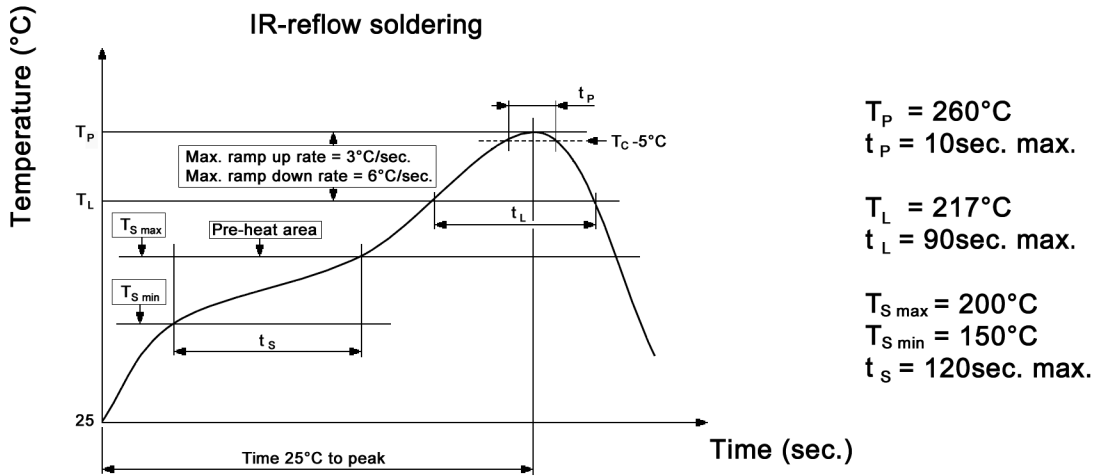
30 08 36

Page
1/2

Specifications:

Contact resistance: 20mOhm max. at 2-4V DC
Insulation resistance: 1 000MOhm min.
Dielectric strength: 1 000V RMS
Operating temperature: -40°C to +85°C
Mechanical life: 30 000 make-and-break cycles
IP rating: IP 67
Material: Case / bushing: glass filled nylon 6/6, flame retardant, heat stabilized (UL94V-0)
 Actuator: brass, chrome plated
 Switch support: brass, tin plated

Soldering conditions:



Compliance: RohS II (2011/65/EU), silicone-free

| | | | | | |
|-------------------------------------------|-------|-------|-----------------------|---------------------|------|
| Tolerances: 0.00: ±0.25mm 0.0: ±0.40mm | | Date | Name | <h1>SST 1 xy-R</h1> | |
| | | 03/06 | dr | | |
| Operating temperature | 11/23 | dr | | | |
| Silicone-free | 07/17 | dr | | | |
| Revised | 02/14 | dr | | | |
| Specifications | 07/13 | dr | | | |
| Switch rating | 12/11 | dr | | | |
| Contact arrangement | 10/09 | dr | knitter-switch | 30 08 36 | |
| Switch rating | 10/09 | dr | | | Page |
| P.C.B. Layout | 10/07 | dr | | | 2/2 |
| Modifications | Date | Name | | | |